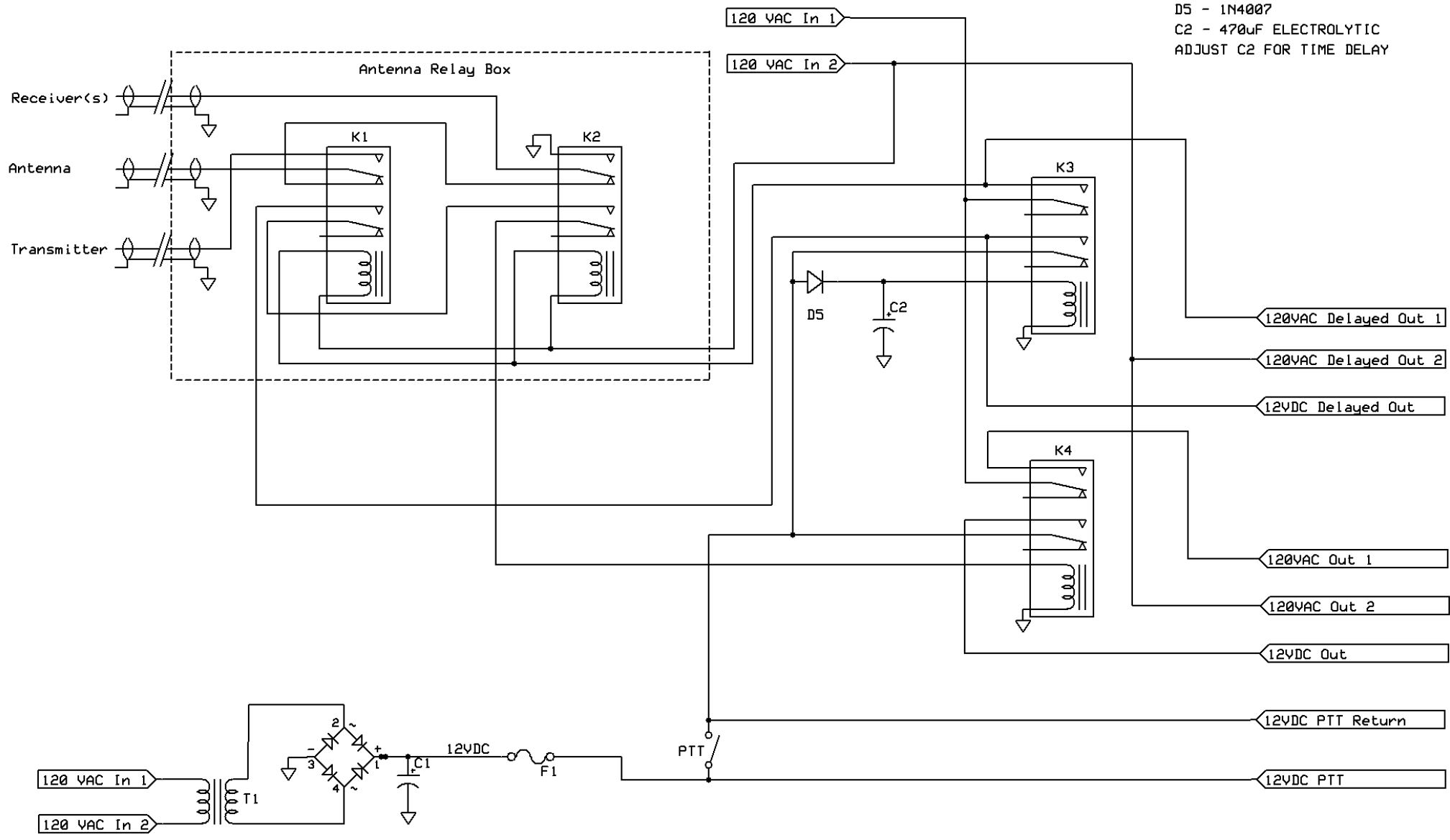


- K1 - 120VAC OPEN FRAME RELAY
- K2 - SMALL 120VAC RELAY
- K3,K4 - SMALL 12VDC RELAY
- D5 - 1N4007
- C2 - 470uF ELECTROLYTIC
- ADJUST C2 FOR TIME DELAY



KD3CN		
Station TR Sequencer		
K. Schoenknecht	Rev 1.0	Page 1 OF 1
	12/18/2007	